

## Vivenis

### Single lever bath mixer floor-standing

Surfaces: **Chrome** Article Number: **75445000**



#### Description

##### product features

- consists of: single lever bath mixer floor standing, baton hand shower, shower hose, shower holder
- 2 functions
- projection 236 mm
- connection type: basic set
- spray type mixer: WaterfallStream
- spray type hand shower: Rain, Mono
- maximum flow rate at 3 bar: 21,3 l/min
- flow rate for bath spout at 3 bar: 21,3 l/min
- flow rate of hand shower at 3 bar: 13,4 l/min
- min. operating pressure: 1 bar
- max. operating pressure: 10 bar
- ceramic cartridge
- temperature limitation adjustable
- diverter with automatic resetting
- non-return valve
- connection dimension: DN15

#### Technology



#### Design awards

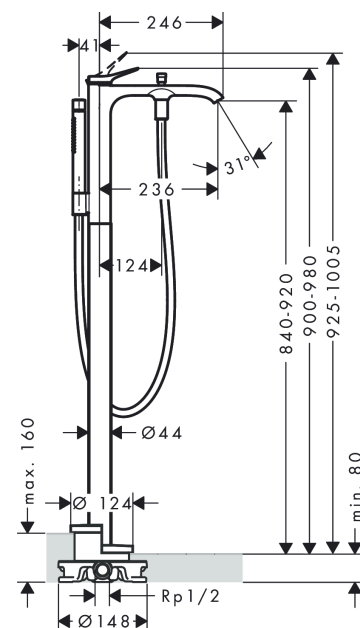


reddot winner 2021

#### Product image



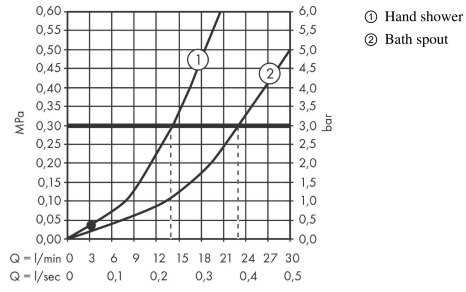
#### Scale drawing



**Vivenis**  
**Single lever bath mixer floor-standing**  
 Surfaces: **Chrome** Article Number: **75445000**



### Flowchart

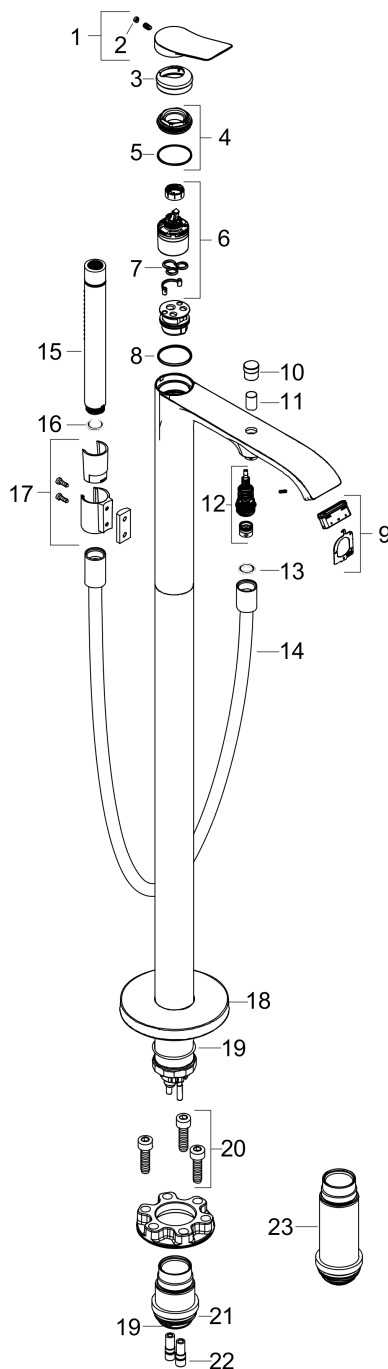


**Vivenis**  
**Single lever bath mixer floor-standing**  
 Surfaces: **Chrome**    Article Number: **75445000**



## Exploded Drawing

Year of production: >06/21



## Vivenis

### Single lever bath mixer floor-standing

Surfaces: **Chrome** Article Number: **75445000**



#### Spare part list

Year of production: >06/21

Pos.	Description	Article Number	Price	PU
1	handle	94277000	-	1
2	screw cover	93735460	-	1
3	escutcheon	94027000	-	1
4	nut	93995000	-	1
5	O-ring 35x1,5	92114000	-	1
6	cartridge, assy	93895000	-	1
7	seal	95008000	-	1
8	O-Ring 30x2	98186000	-	1
9	aerator cpl.	93916000	-	1
10	diverter knob	97981000	-	1
11	sleeve	97979000	-	1
12	selector	97978000	-	1
13	seal	98058000	-	1
14	shower hose 1,25 m	28282000	-	1
15	handshower	28532000	-	1
16	filter packing	94246000	-	1
17	shower holder, assy	96295000	-	1
18	escutcheon	94038000	-	1
19	O-ring 44x2,5	98162000	-	1
20	hexagon socket screw M10x35	97670000	-	1
21	O-ring 29x3	98371000	-	1
22	O-ring 7x2	98419000	-	1
23	extension set 60 mm	93882000	-	1